

ARCANESEED®

Alzheimer's Gamma Wave Light & Sound Therapy Glasses

USER GUIDE

rev 1.0.07.2022

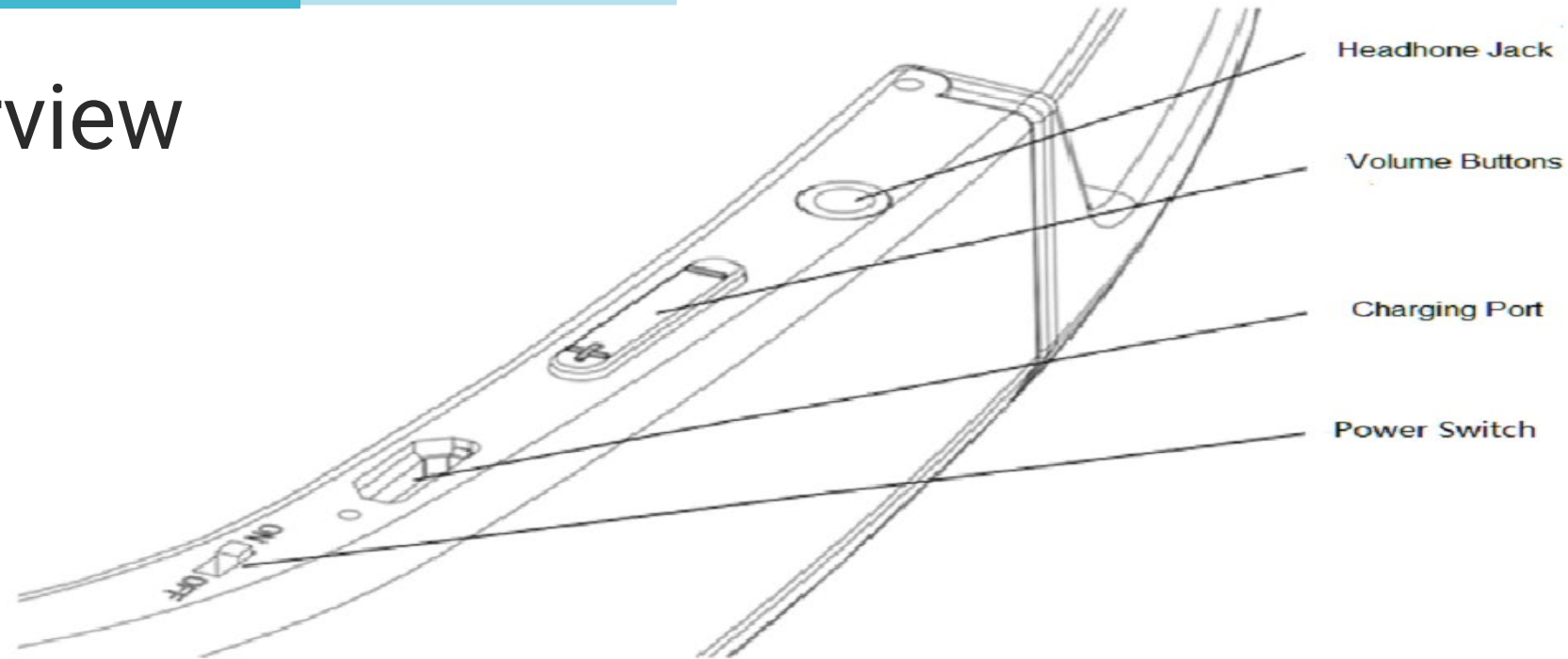


Thank You

Thank you for purchasing Alzheimer's Gamma Wave Light & Sound Therapy Glasses. Your glasses are plug-and-play, requiring no special setup. Please read the following instructions and disclaimer before use.

THANK
YOU

Overview



1. Push the 'Power Switch' forward to turn it on. The LED will flash. Push it back to turn it off."
2. Use the 'Volume Buttons' to adjust the volume. The '+' button increases the volume, and the '-' button decreases the volume.
3. The 'Charging Port' is used for charging. It takes about two hours to fully charge. When the battery is low, the low battery light will flash as an alarm. When the device is fully charged, the green light will turn on.
4. 'Headphone Jack' is the port for connecting headphones.

Instruction

1. It is recommended to use the device for one hour per day, either in the morning or the afternoon. The duration of a single use should not be less than half an hour. The duration can be adjusted from short to long, depending on the user's situation and tolerance.
2. It is advisable to use the device in a sitting or lying position. Users can also perform daily tasks such as reading, reading newspapers, or doing housework, according to their tolerance.
3. Please sit or lie down for 5-10 minutes after using the device.
4. Patients with underlying diseases such as glaucoma, cataract, neurological tinnitus, deafness, epilepsy, etc., are advised not to use the device. Please follow the doctor's instructions.
5. Users who are overly sensitive to sound and light stimulation should not use the device.

Instruction

Disclaimer

1. ArcaneSeed LLP and its product makers and website owners make no guarantees or warranties of any kind, either expressed or implied.
2. The use of their products is completely at the user's risk.
3. Their products and statements have not been evaluated by the Food and Drug Administration.
4. The product is not intended to diagnose, treat, cure, or prevent any disease or illness.
5. They do not assume any responsibility for any potential errors contained on their website or product information provided or any damages or losses resulting from the use of any of their products or relying on any information they've provided.
6. The product is not intended for use by persons under the age of 18.

Disclaimer

THANK YOU

ARCANESEED LLP PRESENTATION